

F-22 Raptor

For twin Wemotec Micro-fans

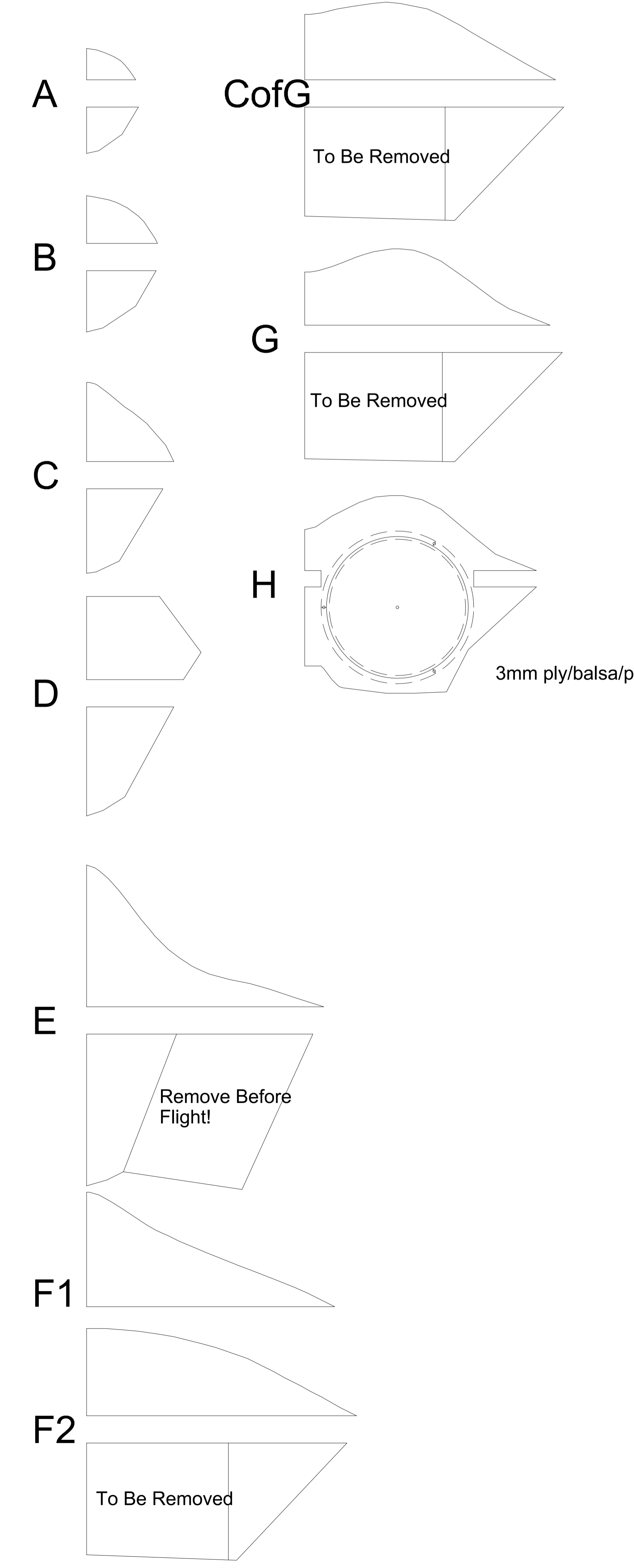
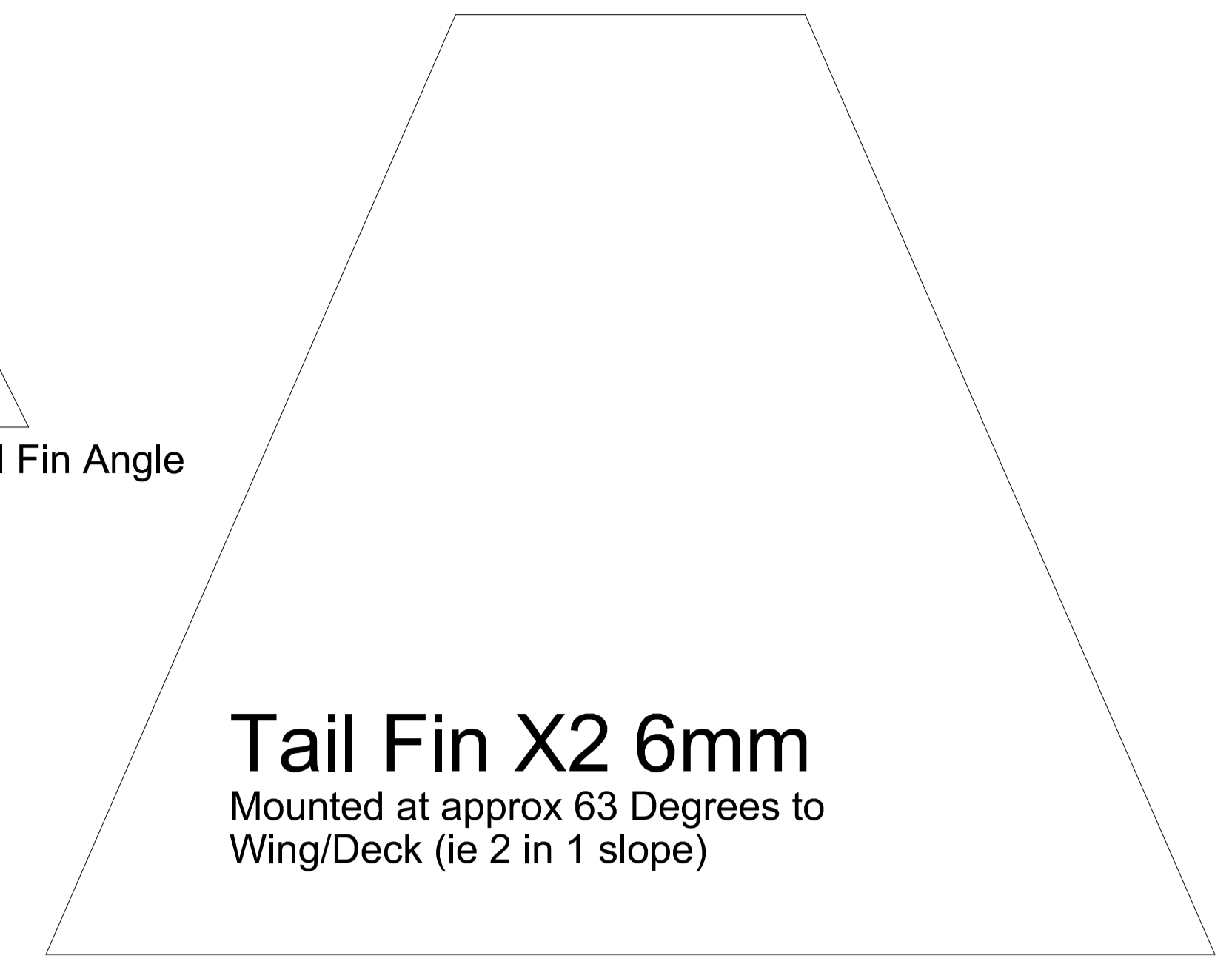
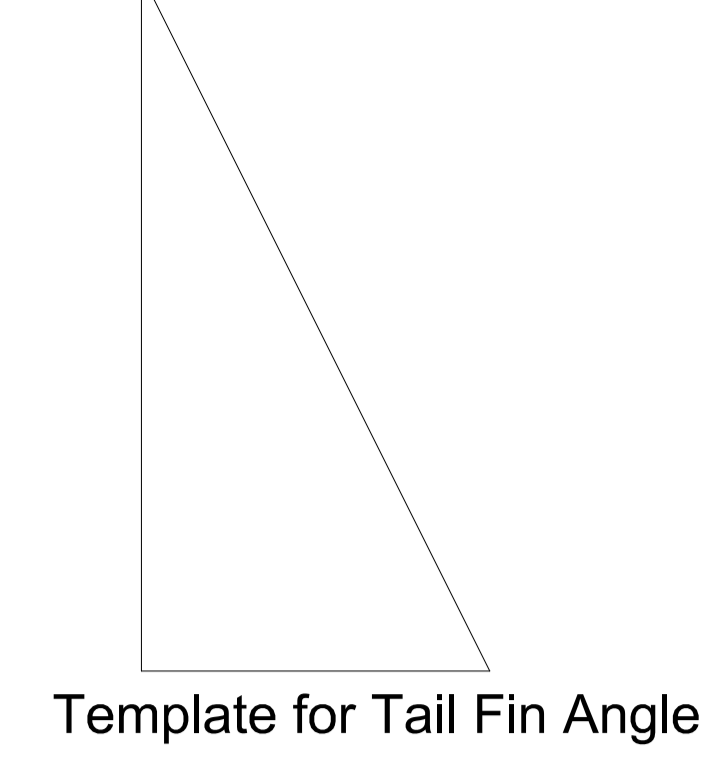
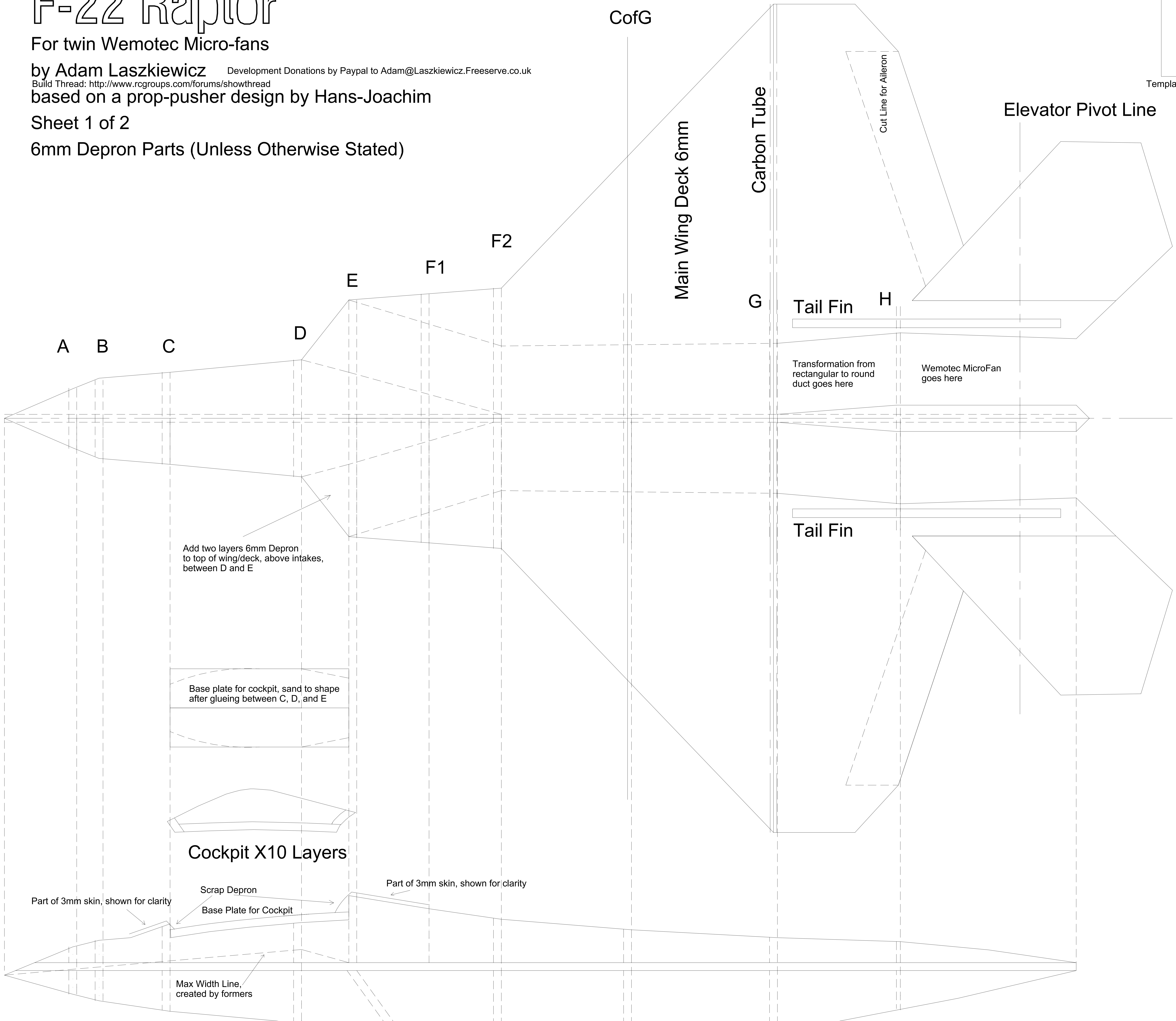
by Adam Laszkiewicz Development Donations by Paypal to Adam@Laszkiewicz.Freeserve.co.uk

Build Thread: <http://www.rcgroups.com/forums/showthread>

based on a prop-pusher design by Hans-Joachim

Sheet 1 of 2

6mm Depron Parts (Unless Otherwise Stated)



Add two layers 6mm Depron to top of wing/deck, above intakes, between D and E

Base plate for cockpit, sand to shape after glueing between C, D, and E

Cockpit X10 Layers

Part of 3mm skin, shown for clarity

Base Plate for Cockpit

Max Width Line, created by formers

Scrap Depron

Part of 3mm skin, shown for clarity

Transformation from rectangular to round duct goes here

Wemotec MicroFan goes here

Remove Before Flight!

3mm ply/balsa/pl

To Be Removed

To Be Removed

To Be Removed